

GAS OUTLETS





Senamed has been established in 2004 in Gebze / Kocaeli. Medical gas system equipment in our company are produced, while actively working in the hospital medical gas systems to offer technical service solutions, it offers a single point of procurement services to the medical gas system. Senamed the vision of our country construction firms, engineering firms, contractors and consulting firms in the medical gas systems projects "valuable solution partner" is. Senamed, required to fulfill international standards in customer demands without compromising critical value, ensure customer Satisfaction and aims to raise the quality of life of patients.

Solutions That Make Value

Continuing its work without sacrificing the quality of service Senamed which acts as a partner to all its customers, with its expertise, experience, knowledge and a more creative and innovative approach offers more usable and valuable solutions...

Innovator

Senamed, watching very closely all developments related to the sector it serves world, technological innovations and their applications in certain has been working to bring its customers. With a young and dynamic team structure, our customers fast, offers quality and affordable solutions.

GAS PROBES

Modular system of medical gas outlets for use at the and hospital medical gas supply system in a patients room, operating room and emergency rooms.

Flexible installation of gas outlets allow for ergonomic, workflow-oriented positioning of equipment. Gas-type specific coding ensures that connections are safe and unmistakable. They can be installed in walls, in lighting-or electrical ducts or in supply units any medical workspace.

They can be installed for example, directly into the wall even into the bedhead units. Particularly in medical supply units used in induction rooms, intensive and normal wards, the required gases as well as vacuum units supplied reliably and at all times.

FEATURES



- The connection and disconnection work smoothly, both the connecting positions are very markedly, which means it is not necessary to hold the medical device by hand when being disconnected, it's that mean will remain in stop itself.
- The body of outlets is fixed to the gas source by safety nut.
- This prevents un-known personnel to connect the outlet to the wrong gas source. The releasing rings are gas specific not only because of different label but they are also of different shape.



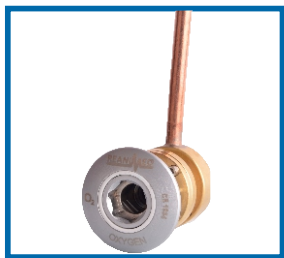
- Maximum inlet pressure to 10 bar
- Vacuum rarefaction to -0.9 bar
- The gas outlets have passed the leakage and connector stability test %100
- All outlets are tested %100 for flow, leakage, as well as connectivity.



- Available for oxygen, vacuum, medical air and nitrous oxide and other gas.
(Consult us about other gas)



- In addition, the following terminal units, non-standardized, are included in the sales program: Compressed Air > 6 bar Air 6 - 10 bar Nitrogen The release bushings are available in country-specific versions. The base blocks for the plug-in couplings are available for different kinds of installation, in walls, ducts or supply units.



- Two year warranty

TECHNICAL SPECIFICATIONS

BS - DIN - NF standards compatible faceplate input and back output

Full faceplate color-coding.

%360 swivel inlet copper tube.

Removable front assembly.

Ease of maintenance without removing the faceplate.

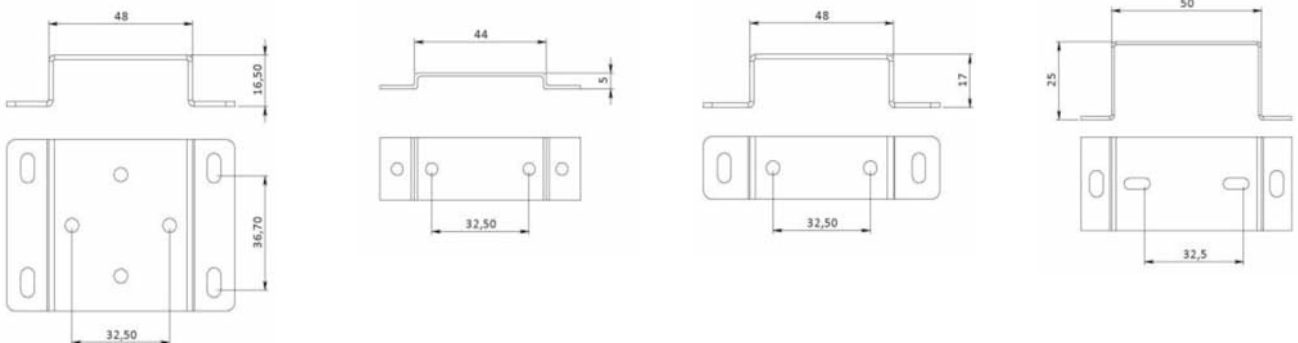


- Applicable Standards ISO 9170-1, ISO 9170-2, ISO 14971, ISO 15223-1

MEDICAL GAS OUTLET BS SERIES

- Available for oxygen, vacuum, medical air and nitrous oxide and other gas. (Consult us about other gas)
- Mounting hole diameter of 54 mm
- Medical gas outlet MND BS connection is made with 8x1 tube copper tube.
- Medical gas outlet MNR BS Complies with BS EN737-1 and HTM 02-01 standard regulations BS made contact with the hose.
- %360 swivel inlet copper tube
- Complies with BS EN737-1 and HTM 02-01 standard
- Color marking according EN ISO 9170-1 standard

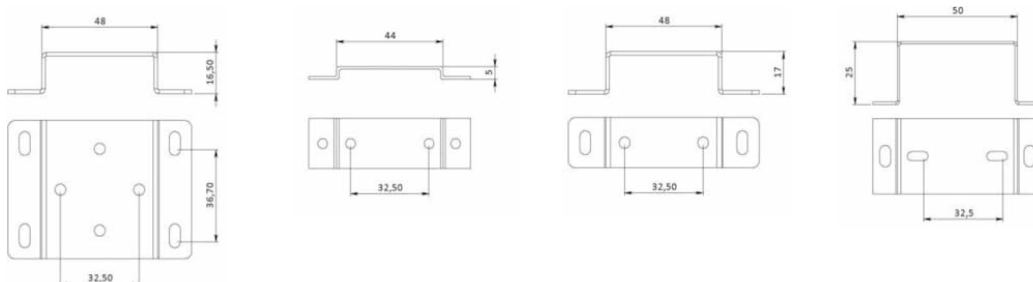
TECHNICAL SPECIFICATIONS	
Product Name	: Medical Gas Outlet
Product Code	: GPR.F0051 (BS O2) GPR.F0052 (BS VAC) GPR.F0055 (BS SA7) GPR.F0053 (BS MA4) GPR.F0054 (BS N2O)
BS - DIN - NF standards compatible faceplate input and back output	
Full faceplate color coding.	
%360 swivel inlet copper tube.	
Removable front assembly.	
Ease of maintenance without removing the faceplate.	



MEDICAL GAS OUTLET DIN SERIES

- Available for oxygen, vacuum, medical air and nitrous oxide and other gas. (Consult us about other gas)
- Mounting hole diameter of 54 mm
- Medical gas outlet MND DIN connection is made with 8x1 tube copper tube.
- Medical gas outlet MNR DIN Complies with BS EN737-1 and HTM 02-01 standard regulations DIN made contact with the hose.
- %360 swivel inlet copper tube.
- Complies with DIN 13260-2
- Color marking according EN ISO 9170-1 standard

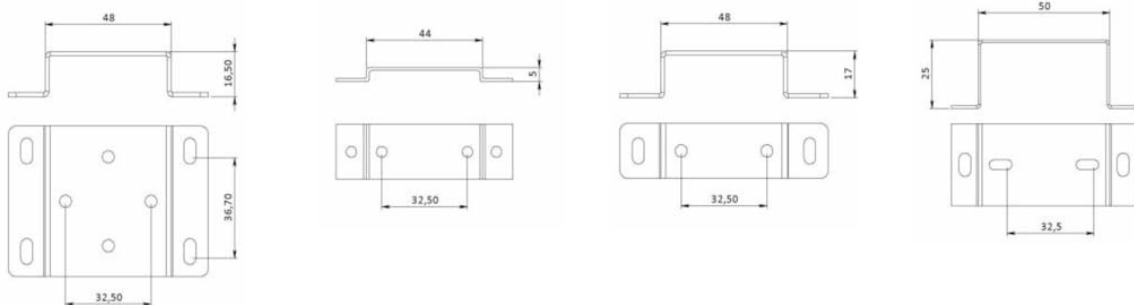
TECHNICAL SPECIFICATIONS	
Product Name	: Medical Gas Outlet
Product Code	: GPR.F0001 (DIN O2) GPR.F0028 (DIN VAC) GPR.F0022 (DIN SA7) GPR.F0016 (DIN MA4) GPR.F0007 (DIN N2O)
BS - DIN - NF standards compatible faceplate input and back output	
Full faceplate color coding.	
%360 swivel inlet copper tube.	
Removable front assembly.	
Ease of maintenance without removing the faceplate.	



MEDICAL GAS OUTLET NF SERIES

- Available for oxygen, vacuum, medical air and nitrous oxide and other gas. (Consult us about other gas)
- Mounting hole diameter of 48 mm
- Medical gas outlet MND NF connection is made with 8x1 tube copper tube.
- Medical gas outlet MNR NF Complies with NF EN737-1 and HTM 02-01 standard regulations DIN made contact with the hose.
- %360 swivel inlet copper tube.
- Complies with NF EN737-1 and HTM 02-01 standard
- Color marking according EN ISO 9170-1 standard

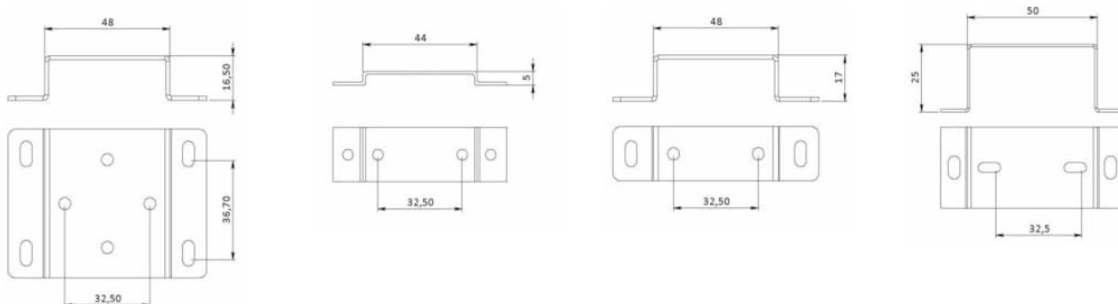
TECHNICAL SPECIFICATIONS	
Product Name	: Medical Gas Outlet
Product Code	: GPR.F0003 (NF O2) GPR.F0030 (NF VAC) GPR.F0024 (NF SA7) GPR.F0018 (NF MA4) GPR.F0012 (NF N2O)
BS - DIN - NF standards compatible faceplate input and back output	
Full faceplate color coding.	
%360 swivel inlet copper tube.	
Removable front assembly.	
Ease of maintenance without removing the faceplate.	



MEDICAL GAS OUTLET DIN SERIES

- Available for oxygen, vacuum, medical air and nitrous oxide and other gas. (Consult us about other gas)
- Mounting hole diameter of **48 mm**
- Medical gas outlet **STB DIN** connection is made with **8x1** tube copper tube.
- Medical gas outlet **STR DIN** Complies with **DIN EN737-1** and **HTM 02-01** standard regulations DIN made contact with the hose.
- %360 swivel inlet copper tube.
- Complies with **DIN EN737-1** and **HTM 02-01** standard
- Color marking according **EN ISO 9170-1** standard

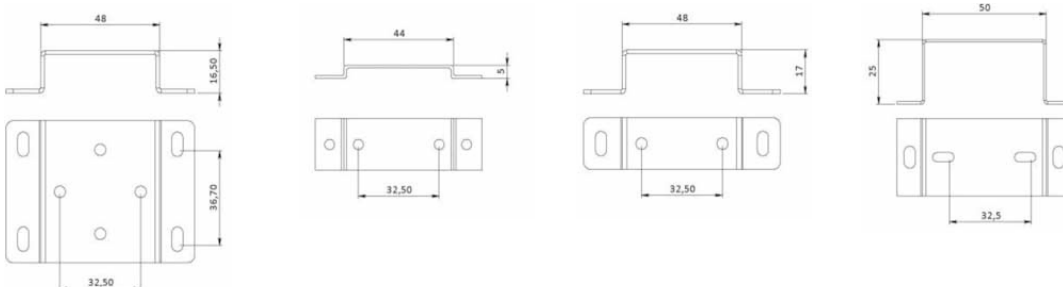
TECHNICAL SPECIFICATIONS	
Product Name	: Medical Gas Outlet
Product Code	: GPR.F0169 (DIN O2) GPR.F0174 (DIN VAC) GPR.F0173 (DIN SA7) GPR.F0172 (DIN MA4) GPR.F0170 (DIN N2O)
BS - DIN - NF standards compatible faceplate input and back output	
Full faceplate color coding.	
%360 swivel inlet copper tube.	
Removable front assembly.	
Ease of maintenance without removing the faceplate.	



MEDICAL GAS OUTLET DIN SERIES

- Available for oxygen, vacuum, medical air and nitrous oxide and other gas.
(Consult us about other gas)
- Mounting hole diameter of **48 mm**
- Medical gas outlet **BKB DIN** connection is made with **8x1** tube copper tube.
- Medical gas outlet **BKR DIN** Complies with **DIN EN737-1** and **HTM 02-01** standard regulations DIN made contact with the hose.
- %360 swivel inlet copper tube.
- Complies with **DIN EN737-1** and **HTM 02-01** standard
- Color marking according **EN ISO 9170-1** standard

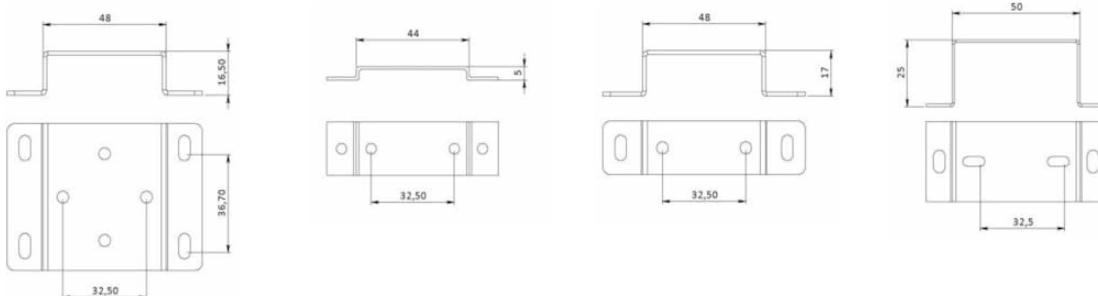
TECHNICAL SPECIFICATIONS		
Product Name	:	Medical Gas Outlet
Product Code	:	GPR.F0254 (DIN O2) GPR.F0259 (DIN VAC) GPR.F0258 (DIN SA7) GPR.F0257 (DIN MA4) GPR.F0255 (DIN N2O)
BS - DIN - NF standards compatible faceplate input and back output		
Full faceplate color coding.		
%360 swivel inlet copper tube.		
Removable front assembly.		
Ease of maintenance without removing the faceplate.		



MEDICAL GAS OUTLET DIN SERIES

- Available for oxygen, vacuum, medical air and nitrous oxide and other gas.
(Consult us about other gas)
- Mounting hole diameter of **43 mm**
- Medical gas outlet **MTB DIN** connection is made with **8x1** tube copper tube.
- Medical gas outlet **MTR DIN** Complies with **DIN EN737-1** and **HTM 02-01** standard regulations DIN made contact with the hose.
- %360 swivel inlet copper tube.
- Complies with **DIN EN737-1** and **HTM 02-01** standard
- Color marking according **EN ISO 9170-1** standard

TECHNICAL SPECIFICATIONS	
Product Name	: Medical Gas Outlet
Product Code	: GPR.F0041 (DIN O2) GPR.F0042 (DIN VAC) GPR.F0044 (DIN SA7) GPR.F0043 (DIN MA4) GPR.F0045 (DIN N2O)
BS - DIN - NF standards compatible faceplate input and back output	
Full faceplate color coding.	
%360 swivel inlet copper tube.	
Removable front assembly.	
Ease of maintenance without removing the faceplate.	

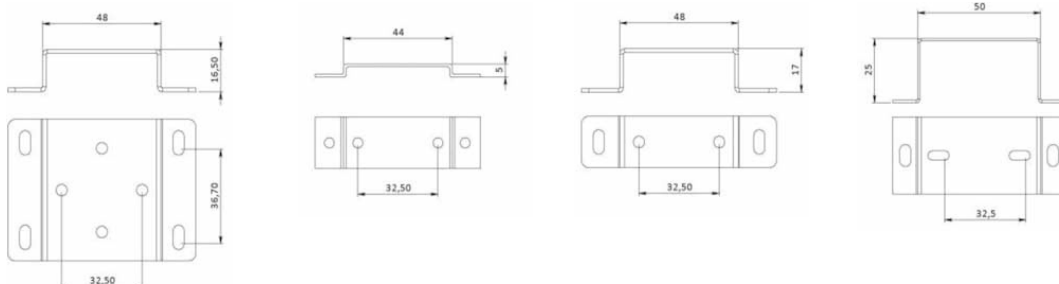


MEDICAL GAS OUTLET BS SERIES

- Available for oxygen, vacuum, medical air and nitrous oxide and other gas. (Consult us about other gas)
- Mounting hole diameter of **43 mm**
- Medical gas outlet **MTB BS** connection is made with **8x1** tube copper tube.
- Medical gas outlet **MTR BS** Complies with **BS EN737-1** and **HTM 02-01** standard regulations **BS** made contact with the hose.
- %360 swivel inlet copper tube.
- Complies with **BS EN737-1** and **HTM 02-01** standard
- Color marking according **EN ISO 9170-1** standard

TECHNICAL SPECIFICATIONS

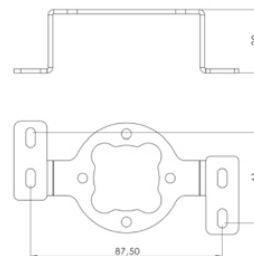
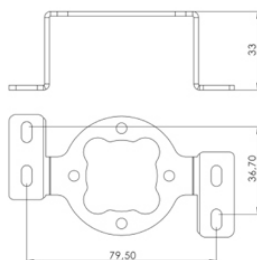
Product Name	: Medical Gas Outlet
Product Code	: GPR.F0002 (BS O2) GPR.F0029 (BS VAC) GPR.F0023 (BS SA7) GPR.F0017 (BS MA4) GPR.F0011 (BS N2O)
BS - DIN - NF standards compatible faceplate input and back output	
Full faceplate color coding.	
%360 swivel inlet copper tube.	
Removable front assembly.	
Ease of maintenance without removing the faceplate.	



MEDICAL GAS OUTLET BS SERIES

- Available for oxygen, vacuum, medical air and nitrous oxide and other gas.
(Consult us about other gas)
- Mounting hole diameter of **58 mm**
- Medical gas outlet **YTB BS** connection is made with **10x1** tube copper tube.
- Medical gas outlet **YTB BS** Complies with **BS EN737-1** and **HTM 02-01**
standard regulations BS made contact with the hose.
- %360 swivel inlet copper tube.
- Complies with **BS EN737-1** and **HTM 02-01** standard
- Color marking according **EN ISO 9170-1** standard

TECHNICAL SPECIFICATIONS	
Product Name	: Medical Gas Outlet
Product Code	: GPR.F0006 (BS O2) GPR.F0007 (BS VAC) GPR.F0009 (BS SA7) GPR.F0008 (BS MA4) GPR.F0010 (BS N2O)
BS - DIN - NF standards compatible faceplate input and back output	
Full faceplate color coding.	
%360 swivel inlet copper tube.	
Removable front assembly.	
Ease of maintenance without removing the faceplate.	

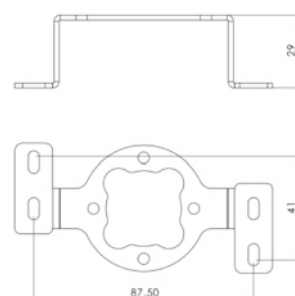
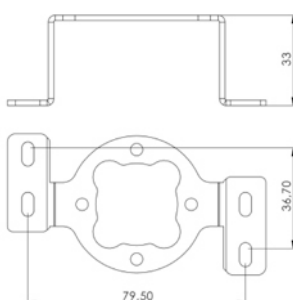


MEDICAL GAS OUTLET DIN SERIES

- Available for oxygen, vacuum, medical air and nitrous oxide and other gas.
(Consult us about other gas)
- Mounting hole diameter of **58 mm**
- Medical gas outlet **YTB DIN** connection is made with **10x1** tube copper tube.
- Medical gas outlet **YTR DIN** Complies with **DIN EN737-1** and **HTM 02-01**
- standard regulations DIN made contact with the hose.
- %360 swivel inlet copper tube.
- Gas supply body can be rotated 360 degrees.
- Complies with **DIN EN737-1** and **HTM 02-01** standard
- Color marking according **EN ISO 9170-1** standard

TECHNICAL SPECIFICATIONS

Product Name	: Medical Gas Outlet
Product Code	: GPR.F0001 (DIN O2) GPR.F0002 (DIN VAC) GPR.F0004 (DIN SA7) GPR.F0003 (DIN MA4) GPR.F0005 (DIN N2O)
BS - DIN - NF standards compatible faceplate input and back output	
Full faceplate color coding.	
%360 swivel inlet copper tube.	
Removable front assembly.	
Ease of maintenance without removing the faceplate.	



**Pnömatik tüp taşıma sistemlerinde
dünya markası aerocom ile yanınızdayız...**



aerocom
Türkiye Distribütörü Senamed.

Senamed Teknik ve Tıbbi Sistemler San. ve Tic. Ltd. Şti.

Köşklü Çeşme Mah. Yeni Bağdat Cad. No: 126 Gebze / KOCAELİ

☎ 0262 646 91 29 pbx - 0262 646 0 888 📞 0262 646 98 53

✉ info@senamed.com.tr 🌐 www.senamed.com.tr

