



PENDANT UNITS





Senamed has been established in 2004 in Gebze / Kocaeli. Medical gas system equipment in our company are produced, while actively working in the hospital medical gas systems to offer technical service solutions, it offers a single point of procurement services to the medical gas system. Senamed the vision of our country construction firms, engineering firms, contractors and consulting firms in the medical gas systems projects "valuable solution partner" is. Senamed, required to fulfill international standards in customer demands without compromising critical value, ensure customer Satisfaction and aims to raise the quality of life of patients.

Solutions That Make Value

Continuing its work without sacrificing the quality of service Senamed which acts as a partner to all its customers, with its expertise, experience, knowledge and a more creative and innovative approach offers more usable and valuable solutions...

Innovator

Senamed, watching very closely all developments related to the sector it serves world, technological innovations and their applications in certain has been working to bring its customers. With a young and dynamic team structure, our customers fast, offers quality and affordable solutions.

PENDANT

In operating theaters and specific care areas in the hospital, such as intensive care units pre-operative patient preparation rooms, post-operative recovery rooms, etc. Efficient use of space is the patient bed. Equipment and devices, of different sizes and structures, are utilized in these areas and these need to be located in a stable and easily accessible manner. All these equipment, their cables and hoses, may clutter up the area in such a way that it would become very difficult for the medical staff to perform their tasks.

Specially designed pendant arms, equipped with consoles, shelves, I.V. / infusion pump holder, electrical sockets, medical gas outlets, etc. Allow for placement of these devices on the pendant arm and the connection off all equipment necessary for the patient's care to be connected to these services, in an organized manner near the operating table or the patient bed, without the clutter of cables, and thus make it possible for the medical staff to reach near the patient and perform their work in a comfortable manner.

It's provides Flexible positioning, optimized usage of space in operating theaters and intensive care units.



- Easy of use
- Increased Safety
- Flexible positioning
- Long reach
- High load capacity
- Easy installation and maintenance
- High quality
- No apparent cables or screws
- Compact
- Color options create a harmonious recovery environment

DESIGN

- High quality solutions
- Modern minimalist design
- Flexible and modular design to customer
- Color of product according to the interior
- Different standards gas quick outlets - DIN, NF, BS



CONSTRUCTION

- Easy installation and maintenance
- Materials approved for medical use

ACCESSORIES

- Docking Trolleys
- Examination Lights
- Catheter Brackets
- IV Poles/Tubes
- Monitor Support Arms
- Medical Rail
- Medical PC Mounting Brackets
- Drawer
- Shelf
- Infusion Pump Mountings
- Basket

CONFORMITY

EN ISO 9001
EN ISO 13485
EN ISO 11197
EN ISO 7396-1
EN ISO 14971
EN ISO 93/41/EC
HTM 0201

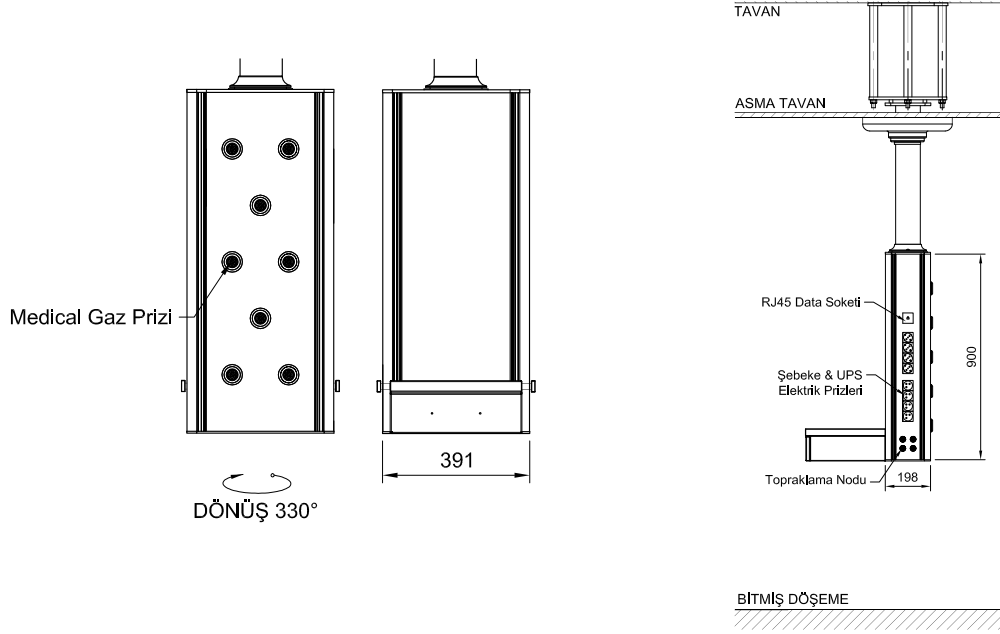
KALE MODEL PENDANT UNIT

Pendants, intensive care unit is a system about which side of service from the ceiling to provide all necessary services and device connections needed for medical gas and electricity supplies in the operating room and delivery room.

- Aluminum profile
- For supply of medical gases, compressed air, vacuum (up to 12 medical gas outlets)
- The integrated high strength pendant and arm are made of aluminum with anti-rust treatments
- Lifting capacity up to 150 kg
- Radius of movement from 30°to 330°
- The flexibility of the arms makes patient access, working conditions, and cleaning of treatment areas
- Adjustable arm length for different height rooms
- With pneumobrakes
- Suitable for surgical, endoscopy and anesthesia applications



DÖNÜŞ 330°



USE

- General Operating Room
- Hybrid Operating Room
- C-Section Suite
- Cath Lab
- Intensive Care Unit
- Emergency Department

ACCESSORIES

- Docking Trolleys
- Examination / Reading Lights
- Transfer Systems
- Catheter Brackets
- IV Poles / Tubes
- Monitor Support Arms
- Medical Rail
- Medical PC Mounting Brackets
- Drawer
- Shelf
- Infusion Pump Mountings
- Basket

TECHNICAL SPECIFICATIONS

Product Name	: Kale Pendant
Product Code	: PND.XXXX.00
Trunk Dimensions	: 900x391 mm
Energy	: 220 V 50 Hz
Weight	: 45 kg
Material	: DKP Plate
Color	: Ral Color Scale
Gas Equipment	: 2xVAC outlet, 2xO2 outlet, 2xMA4 OUTLET provision
Electrical Equipment	: Commutator 4 Electrical Outlets 4 UPS outlet 2 Accessory Rail 2xGround node Data

CONFORMITY

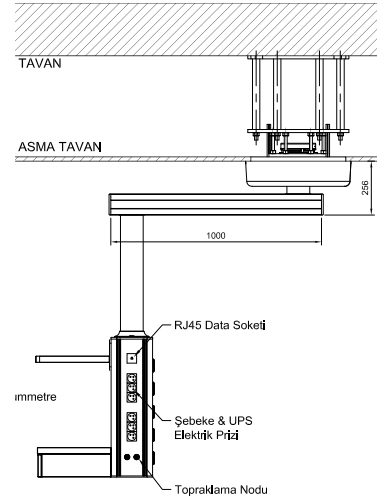
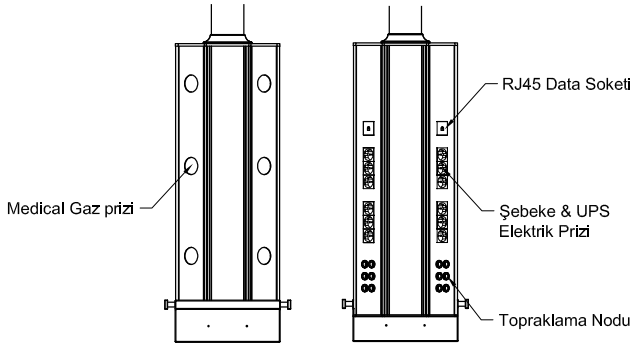
EN ISO 9001
EN ISO 13485
EN ISO 11197
EN ISO 7396-1
EN ISO 14971
EN ISO 93/41/EC
HTM 0201

SINGLE ARM PENDANT UNIT

Pendants, intensive care unit is a system about which side of service from the ceiling to provide all necessary services and device connections needed for medical gas and electricity supplies in the operating room and delivery room.

- Aluminum profile
- For supply of medical strength, compressed air, vacuum (up to 12 medical gas outlets)
- The integrated high strength pendant and arm are made of aluminum with anti-rust treatments
- Lifting capacity up to 150 kg
- Radius of movement from 30°to 330°
- The flexibility of the arms makes patient access, working conditions, and cleaning of treatment areas
- Adjustable arm length for different height rooms
- With pneumobrakes
- Suitable for surgical, endoscopy and anesthesia applications





USE

- General Operating Room
- Hybrid Operating Room
- C-Section Suite
- Cath Lab
- Intensive Care Unit
- Emergency Department

ACCESSORIES

- Docking Trolleys
- Examination / Reading Lights
- Transfer Systems
- Catheter Brackets
- IV Poles / Tubes
- Monitor Support Arms
- Medical Rail
- Medical PC Mounting Brackets
- Drawer
- Shelf
- Infusion Pump Mountings
- Basket

TECHNICAL SPECIFICATIONS

Product Name	: Single Arm Pendant
Product Code	: PND.XXXX.00
Trunk Dimensions	: 650x545,4 mm
Arm Dimensions	: 220 V 50 Hz
Weight	: 80 kg
Material	: DKP Plate
Color	: Ral Color Scale
Gas Equipment	: 2xVAC outlet, 2xO2 outlet, 2xMA4 OUTLET provision
Electrical Equipment	: Commutator 4 Electrical Outlets 4 UPS outlet 2 Accessory Rail 2xGround node Data

CONFORMITY

EN ISO 9001
EN ISO 13485
EN ISO 11197
EN ISO 7396-1
EN ISO 14971
EN ISO 93/41/EC
HTM 0201

DOUBLE ARM PENDANT UNIT

Pendants, intensive care unit is a system about which side of service from the ceiling to provide all necessary services and device connections needed for medical gas and electricity supplies in the operating room and delivery room.

Aluminum profile

For supply of medical gases, compressed air, vacuum (up to 12 medical gas outlets)

The integrated high strength pendant and arm are made of aluminum with anti-rust treatments

Lifting capacity up to 150 kg

Radius of movement from 30° to 330°

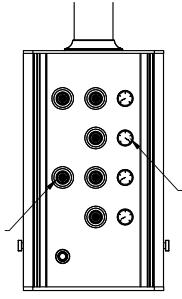
The flexibility of the arms makes patient access, working conditions, and cleaning of treatment areas

Adjustable arm length for different height rooms

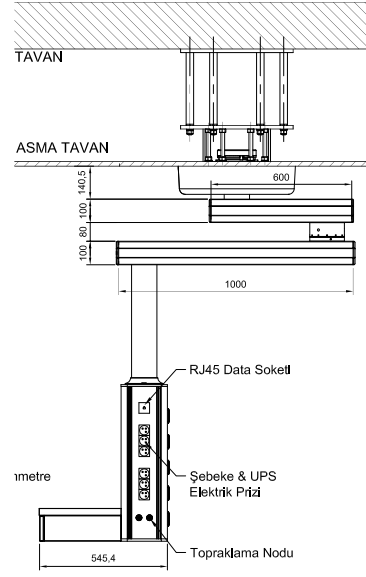
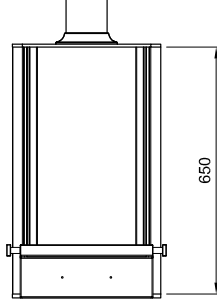
With pneumobrakes

Suitable for surgical, endoscopy and anesthesia applications





DÖNÜŞ 330°



BİTMIŞ DÖŞEME

USE

- General Operating Room
- Hybrid Operating Room
- C-Section Suite
- Cath Lab
- Intensive Care Unit
- Emergency Department

ACCESSORIES

- Docking Trolleys
- Examination / Reading Lights
- Transfer Systems
- Catheter Brackets
- IV Poles / Tubes
- Monitor Support Arms
- Medical Rail
- Medical PC Mounting Brackets
- Drawer
- Shelf
- Infusion Pump Mountings
- Basket

TECHNICAL SPECIFICATIONS

Product Name	: Double Arm Pendant
Product Code	: PND.XXXX.00
Trunk Dimensions	: 650x545,4 mm
Arm Dimensions	: 1000 mm
Weight	: 80 kg
Material	: DKP Plate
Color	: Ral Color Scale
Gas Equipment	: 2xVAC outlet, 2xO2 outlet, 2xMA4 OUTLET provision
Electrical Equipment	: Commutator 4 Electrical Outlets 4 UPS outlet 2 Accessory Rail 2xGround node Data

CONFORMITY

EN ISO 9001
EN ISO 13485
EN ISO 11197
EN ISO 7396-1
EN ISO 14971
EN ISO 93/41/EC
HTM 0201

**Pnömatik tüp taşıma sistemlerinde
dünya markası aerocom ile yanınızdayız...**



aerocom
Türkiye Distribütörü Senamed.

Senamed Teknik ve Tıbbi Sistemler San. ve Tic. Ltd. Şti.

Köşklü Çeşme Mah. Yeni Bağdat Cad. No: 126 Gebze / KOCAELİ

☎ 0262 646 91 29 pbx - 0262 646 0 888 📞 0262 646 98 53

✉ info@senamed.com.tr 🌐 www.senamed.com.tr

